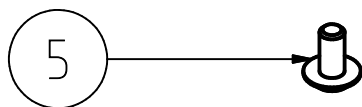
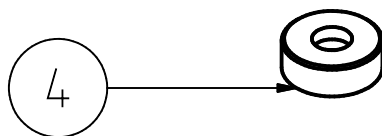
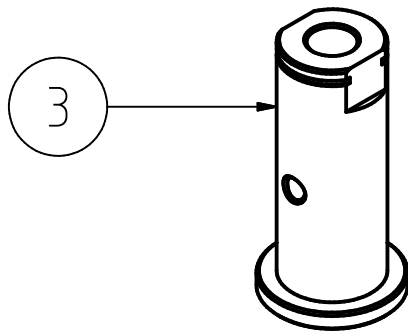
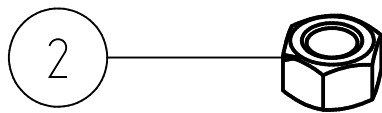
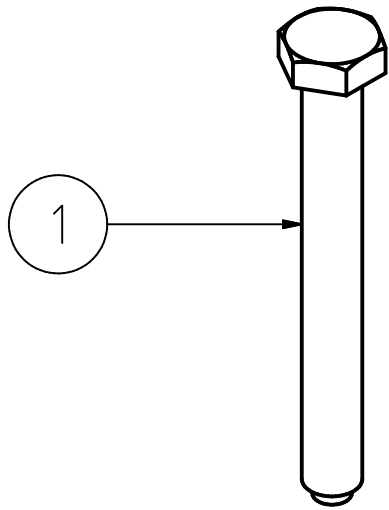


The machine has been modified from 25-03-2014

From serial number : 21401000

**PROFI EXTRA
STANDARD
ASSEMBLIES
FOR 1m -2m**



5	1	Buttonhead int. hex. bolt M5x10	PL30221
4	1	Spacer bearing	PL20155
3	1	Brass foot	PL20148
2	1	Nut M12	PL30185
1	1	Hexhead bolt M12x100	PL20153
ITEM	QTY	DESCRIPTION	FDS Doc Nr

Algemene toleranties voor afmetingen: EN-ISO13920-BF-ISO2768-mK

Materiaal: Gewicht: 0,29 kg



Getekend: Diacom

Datum: 5-4-2016

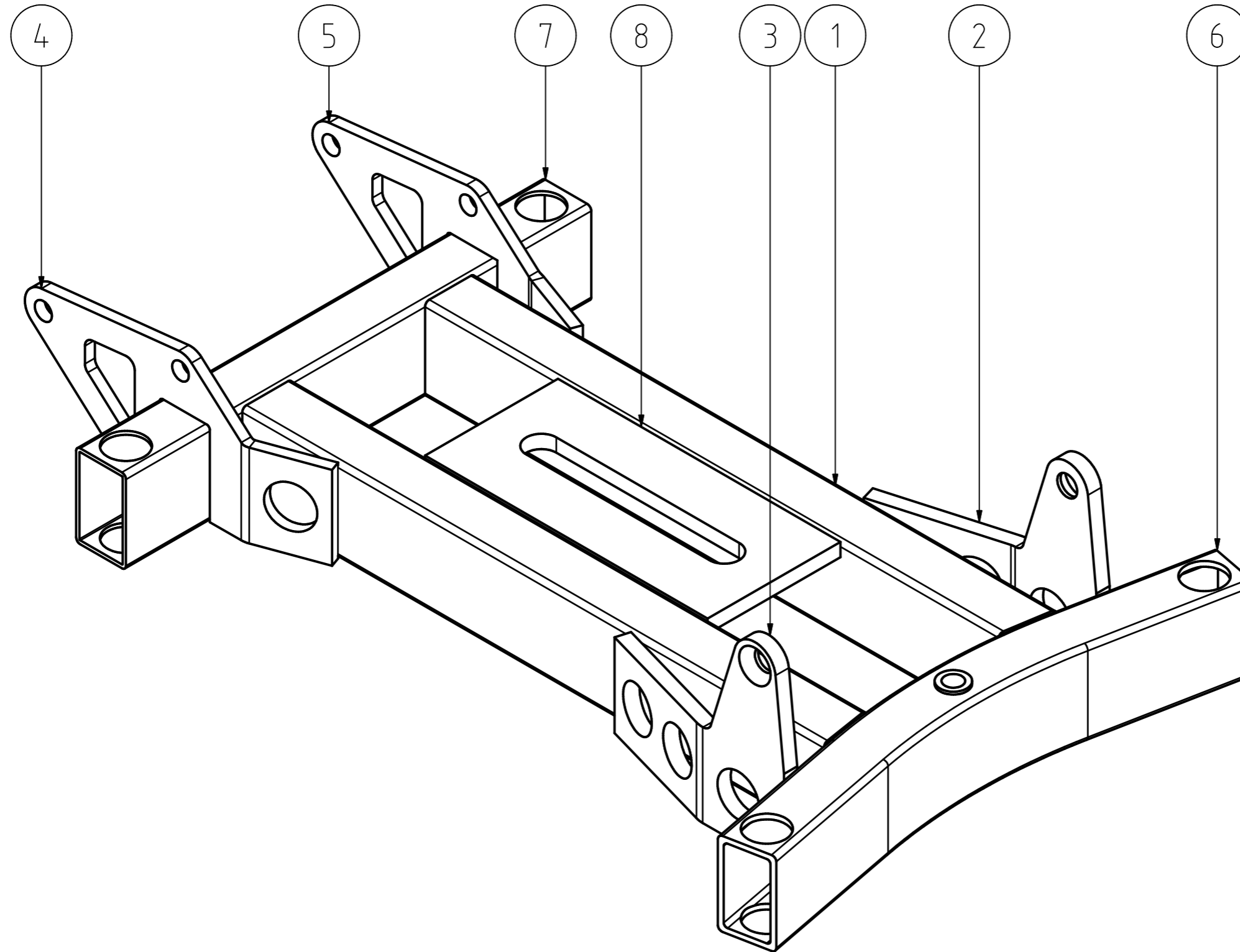
Brass foot sub-assembly

A4 PL20077



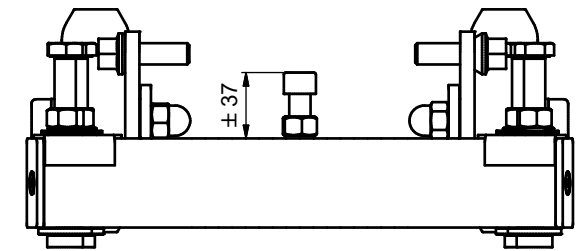
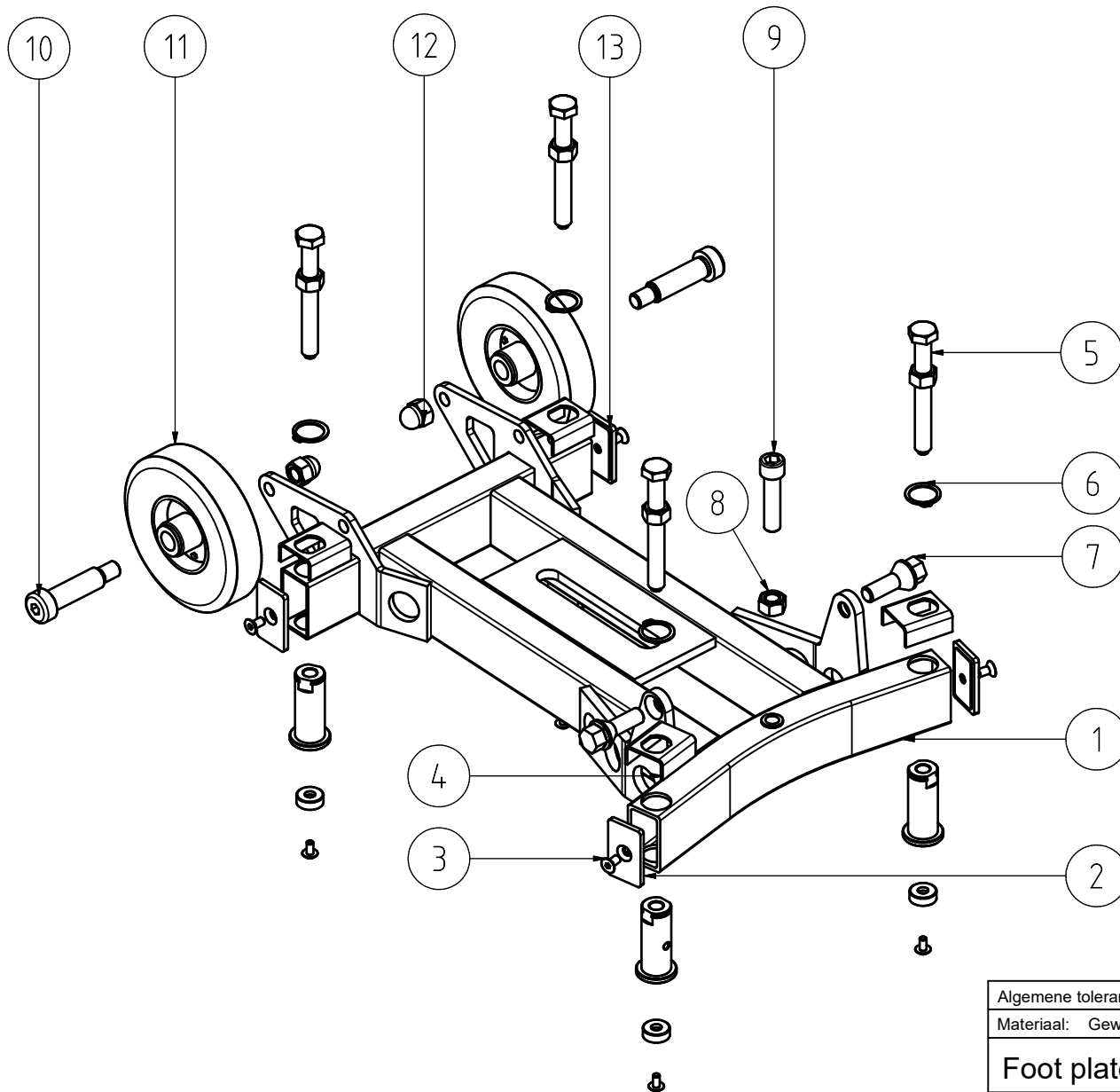
Diacom Hoofddorp. All rights reserved. No part of this drawing may be reproduced or published in any form by print, photography, microfilm or by any other means, without the prior written permission of Diacom Hoofddorp, this is also applicable for entire or partial adaptation.

REV:
R0



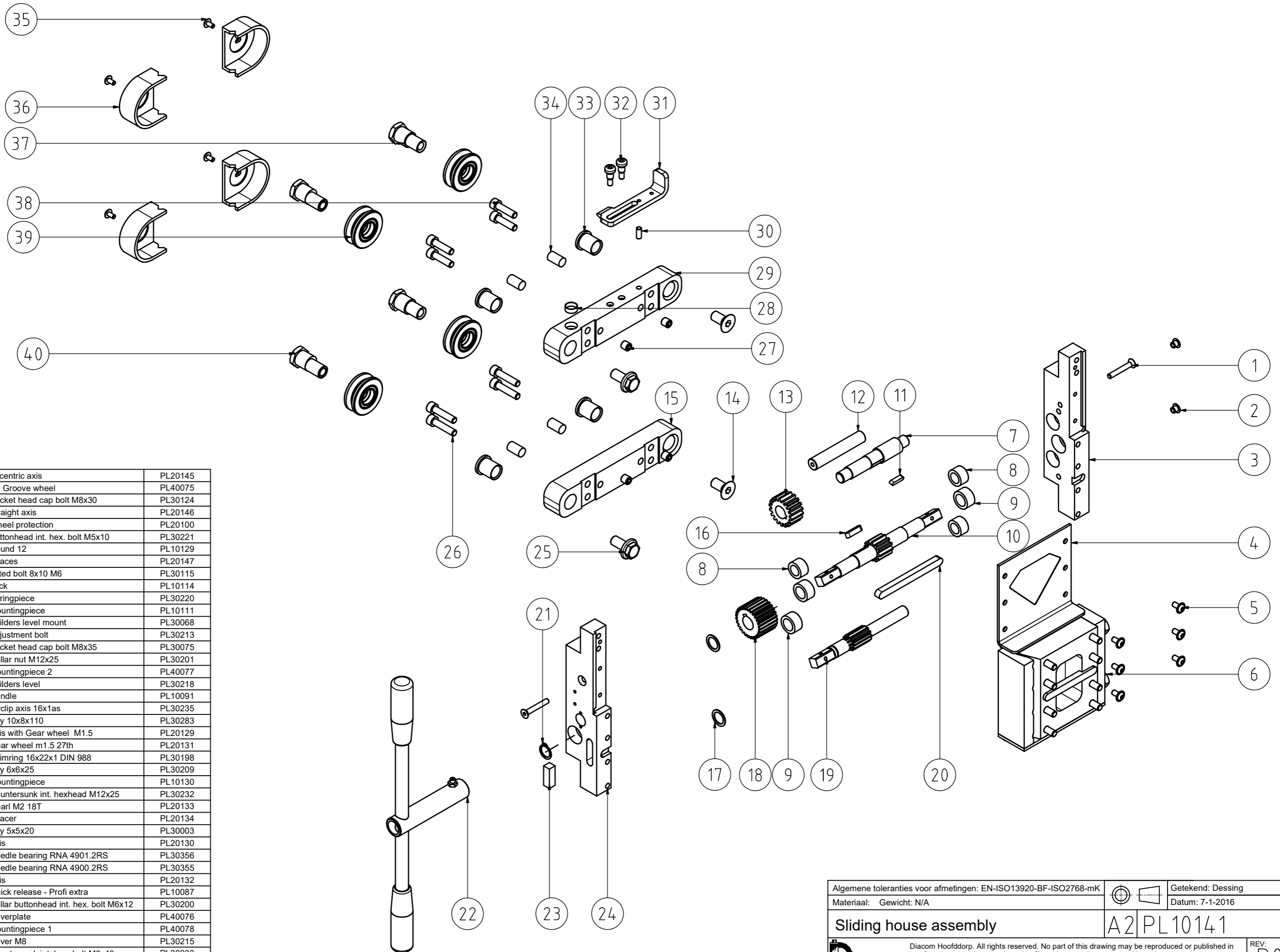
8	1	Steel plate	PL20034
7	1	Square profiel 3	PL20142
6	1	Square profiel 4	PL20137
5	1	Plate 5 - Left	PL20159
4	1	Plate 4 - Right	PL20141
3	1	Plate 3 - Right	PL20138
2	1	Plate 2 - Left	PL20139
1	2	Square profile 2	PL20143
ITEM	QTY	DESCRIPTION	FDS Doc Nr

Algemene toleranties voor afmetingen: EN-ISO13920-BF-ISO2768-mK		Getekend: Serge
Materiaal: Gewicht: 5,00 kg		Datum: 1-5-2006
Foot plate sub-assembly		A3 PL10115
Diacom Hoofddorp. All rights reserved. No part of this drawing may be reproduced or published in any form by print, photography, microfilm or by any other means, without the prior written permission of Diacom Hoofddorp, this is also applicable for entire or partial adaptation.		REV: R0



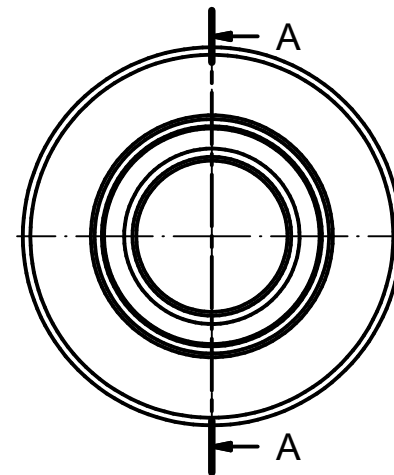
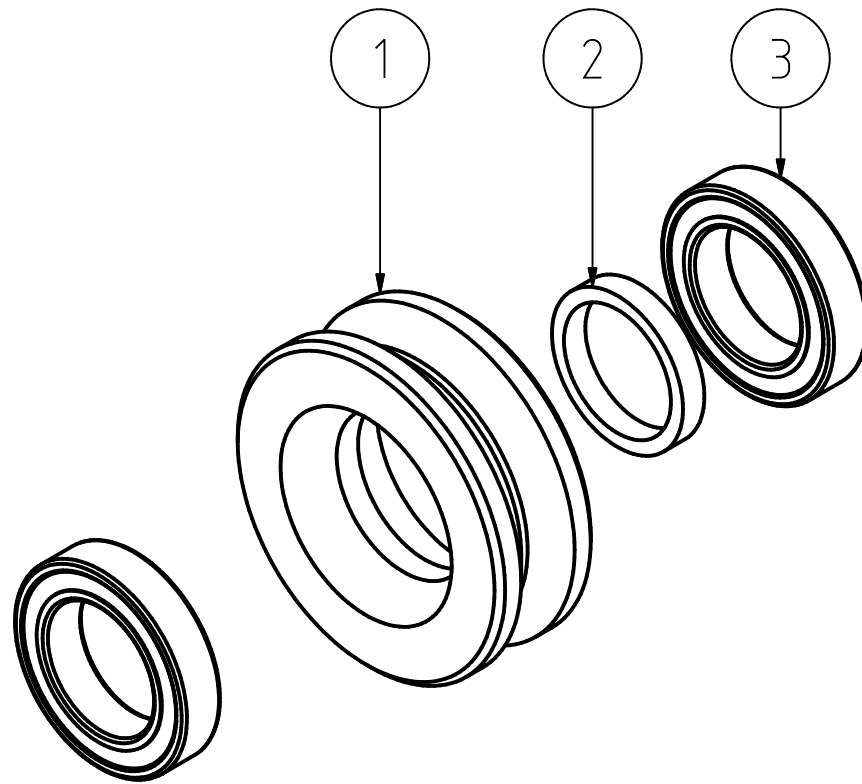
13	2	Afdekplaat achter voor voetplaat-Profi extra	PL20156
12	2	Cap nut M12	PL30043
11	2	Wheel-125	PL20020
10	2	pasbout 16x50 M12	PL30212
9	1	Socket head cap screw M12x50	PL30228
8	1	Nut M12	PL30185
7	2	Hexhead bolt M12	PL30211
6	4	Circlip axis 22x1.2	PL30205
5	4	Brass foot sub-assembly	PL20077
4	4	U-profile	PL20163
3	4	Countersunk int. hex. bolt M6x12	PL30029
2	2	Afdekplaatje voorkant voor voetplaat- Profi extra	PL20162
1	1	voetplaat extra met nwe koker	PL10115
ITEM	QTY	DESCRIPTION	FDS Doc Nr

Algemene toleranties voor afmetingen: EN-ISO13920-BF-ISO2768-mK			Getekend: Serge
Materiaal: Gewicht: N/A			Datum: 14-1-2016
Foot plate - Profi extra		A3 PL40087	
		Diacom Hoofddorp. All rights reserved. No part of this drawing may be reproduced or published in any form by print, photography, microfilm or by any other means, without the prior written permission of Diacom Hoofddorp, this is also applicable for entire or partial adaptation.	
		REV:	R0

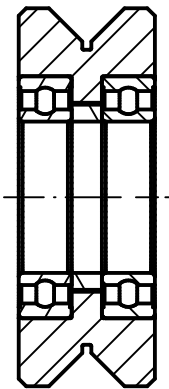


40	2	Eccentric axis	PL20145
39	4	V - Groove wheel	PL40075
38	4	Socket head cap bolt M8x30	PL30124
37	2	Straight axis	PL20146
36	4	Wheel protection	PL20100
35	4	Buttonhead int. hex. bolt M5x10	PL30221
34	4	Round 12	PL10129
33	4	Spaces	PL20147
32	2	Fitted bolt 8x10 M6	PL30115
31	1	Lock	PL10114
30	1	Springpiece	PL30220
29	1	Mountingpiece	PL10111
28	1	Builders level mount	PL30068
27	4	Adjustment bolt	PL30213
26	4	Socket head cap bolt M8x35	PL30075
25	2	Collar nut M12x25	PL30201
24	1	Mountingpiece 2	PL40077
23	1	Builders level	PL30218
22	1	Handle	PL10091
21	1	Circlip axis 16x1as	PL30235
20	1	Key 10x8x110	PL30283
19	1	Axis with Gear wheel M1.5	PL20129
18	1	Gear wheel m1.5 27th	PL20131
17	2	Shimring 16x22x1 DIN 988	PL30198
16	1	Key 6x6x25	PL30209
15	1	Mountingpiece	PL10130
14	2	Countersunk int. hexhead M12x25	PL30232
13	1	Gearl M2 18T	PL20133
12	1	Spacer	PL20134
11	1	Key 5x5x20	PL30003
10	1	Axis	PL20130
9	3	Needle bearing RNA 4901.2RS	PL30356
8	3	Needle bearing RNA 4900.2RS	PL30355
7	1	Axis	PL20132
6	1	Quick release - Profi extra	PL10087
5	6	Collar buttonhead int. hex. bolt M6x12	PL30200
4	1	Coverplate	PL40076
3	1	Mountingpiece 1	PL40078
2	2	Cover M8	PL30215
1	2	Countersunk int. hex. bolt M6x40	PL30233
ITEM	QTY	DESCRIPTION	FDS Doc Nr

Algemene toleranties voor afmetingen: EN-ISO13920-BF-ISO2768-mk		Getekend: Dessing	
Materiaal: Gewicht: N/A		Datum: 7-1-2016	
Sliding house assembly		A2 PL10141	
		Diacom Hoofddorp. All rights reserved. No part of this drawing may be reproduced or published in any form by print, photography, microfilm or by any other means, without the prior written permission of Diacom Hoofddorp, this is also applicable for entire or partial adaptation.	
<small>Tekeninglocatie: F:\Onze Documenten\Technische tekeningen\l_projects\Prof_i_extra\Glijhuis\PL10141R0.idw Modellocatie: F:\Onze Documenten\Technische tekeningen\l_projects\Prof_i_extra\Glijhuis\PL10141R0.iam</small>		REV: R0	



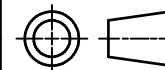
Section A-A



3	2	Bearing 6804 2RS	PL30206
2	1	Spacer	PL20128
1	1	Wheel guide	PL20127
ITEM	QTY	DESCRIPTION	FDS Doc Nr

Algemene toleranties voor afmetingen: EN-ISO13920-BF-ISO2768-mK

Materiaal: Gewicht: 0,18 kg



Getekend: Serge

Datum: 28-12-2015

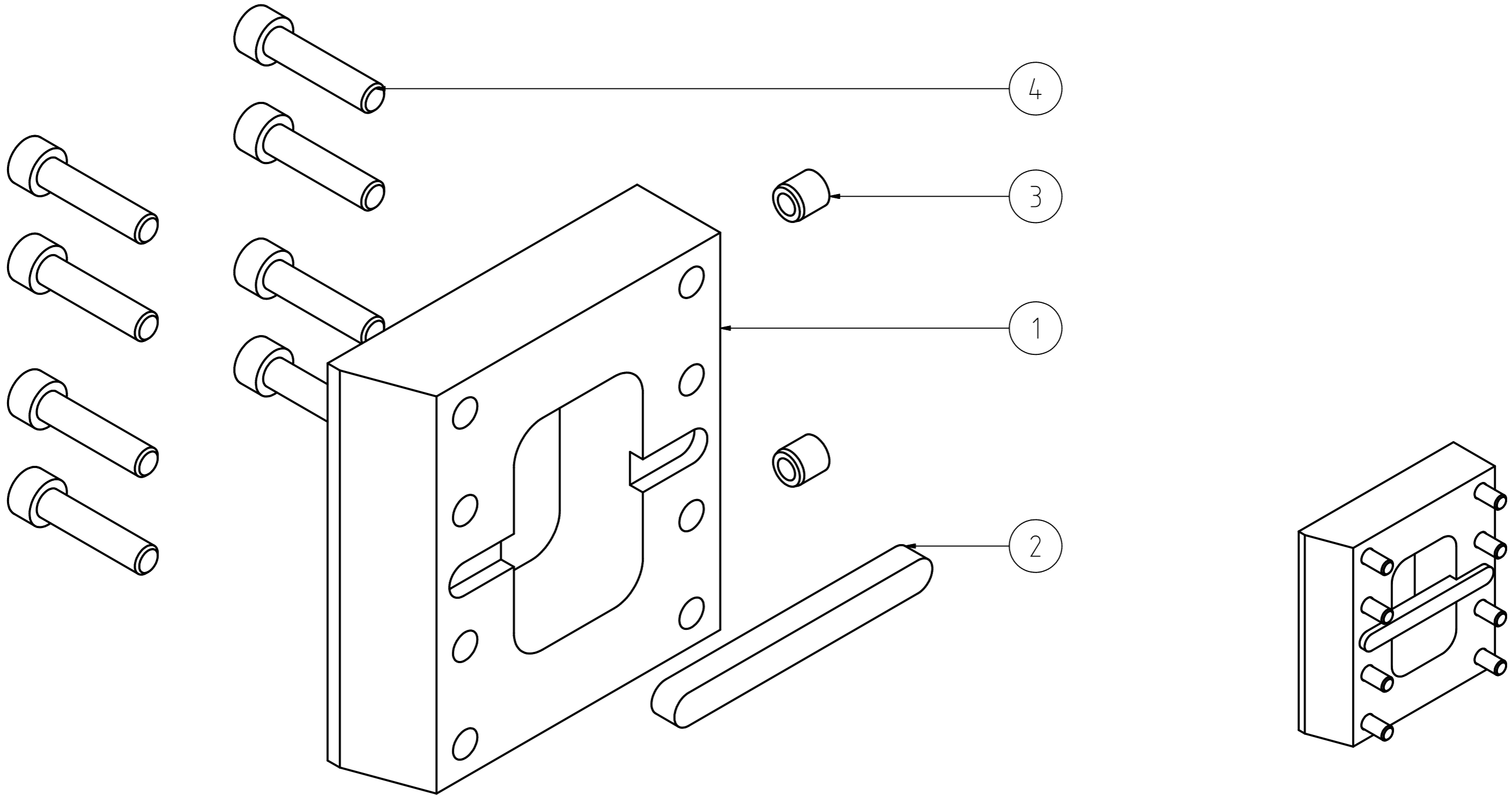
Wheel guide assembly

A4 PL40075



Diacom Hoofddorp. All rights reserved. No part of this drawing may be reproduced or published in any form by print, photography, microfilm or by any other means, without the prior written permission of Diacom Hoofddorp, this is also applicable for entire or partial adaptation.

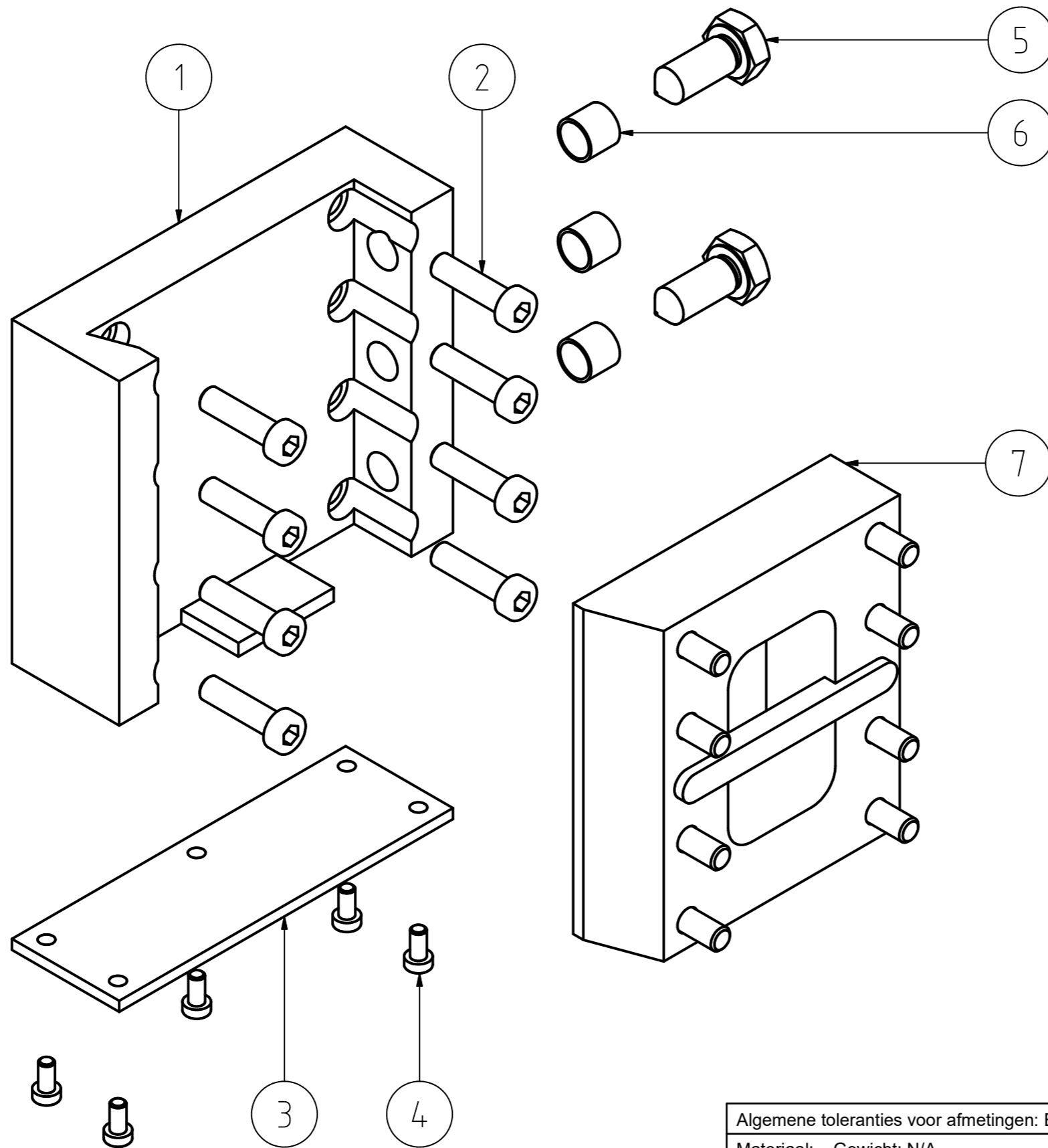
REV:
R0



4	8	Socket head cap bolt M8x35	PL30075
3	2	Drillbushing 6x10x10	PL30081
2	1	Key 10x8x90	PL30073
1	1	Motorplate- Profi extra	PL10122
ITEM	QTY	DESCRIPTION	FDS Doc Nr

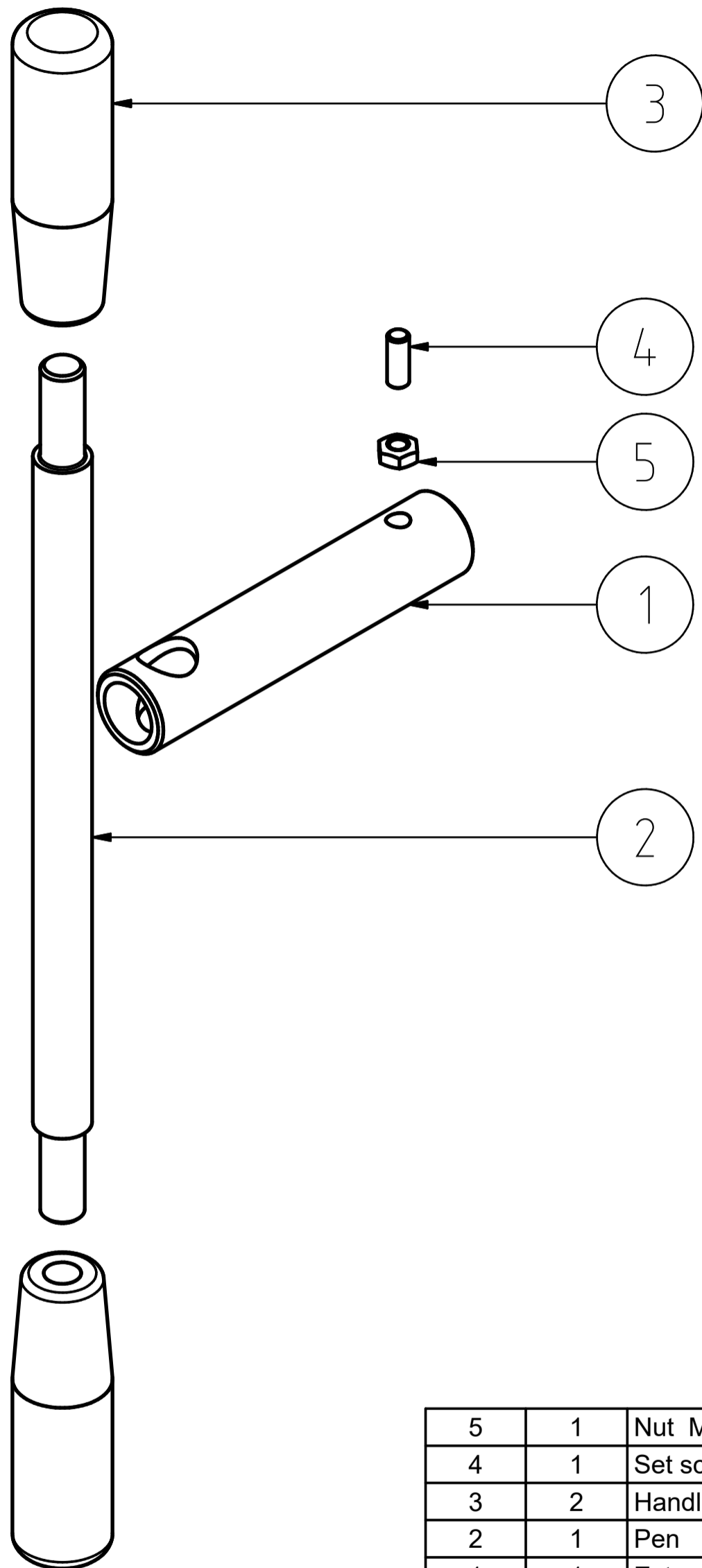
Algemene toleranties voor afmetingen: EN-ISO13920-BF-ISO2768-mK		⊕	Getekend: Diacom
Materiaal: Gewicht: N/A		□	Datum: 4-2-2016
Motorplate assembly - Profi extra		A3	PL10137
Diacom Hoofddorp. All rights reserved. No part of this drawing may be reproduced or published in any form by print, photography, microfilm or by any other means, without the prior written permission of Diacom Hoofddorp, this is also applicable for entire or partial adaptation.			REV: R0

Tekeninglocatie: F:\Onze Documenten\Technische tekeningen\projects\Profi_extra\Motorplaat\PL10137R0.idw
 Modellocatie: F:\Onze Documenten\Technische tekeningen\projects\Profi_extra\Motorplaat\PL10137R0.iam



7	1	Motorplate assembly - Profi extra	PL10137
6	3	Helicoil M12x12	PL30214
5	2	Tipped hexhead bolt M12x30	PL20165
4	5	Socket hexhead bolt M5x10	PL30021
3	1	Stop plate	PL40079
2	8	Socket head cap bolt M8x30 low head	PL30282
1	1	Fast connection	PL10174
ITEM	QTY	DESCRIPTION	FDS Doc Nr

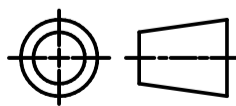
Algemene toleranties voor afmetingen: EN-ISO13920-BF-ISO2768-mK		Getekend: Diacom	
Materiaal: Gewicht: N/A		Datum: 4-2-2016	
Quick release - Profi extra		A3 PL10087	
Diacom Hoofddorp. All rights reserved. No part of this drawing may be reproduced or published in any form by print, photography, microfilm or by any other means, without the prior written permission of Diacom Hoofddorp, this is also applicable for entire or partial adaptation.			REV: R0



5	1	Nut M6	PL30160
4	1	Set screw M6x16	PWE30005
3	2	Handle	PL30007
2	1	Pen	PL20003
1	1	Extension cylinder	PL20099
ITEM	QTY	DESCRIPTION	FDS Doc Nr

Algemene toleranties voor afmetingen: EN-ISO13920-BF-ISO2768-mK

Materiaal: Gewicht: 0,46 kg



Getekend: Linda

Datum: 28-12-2015

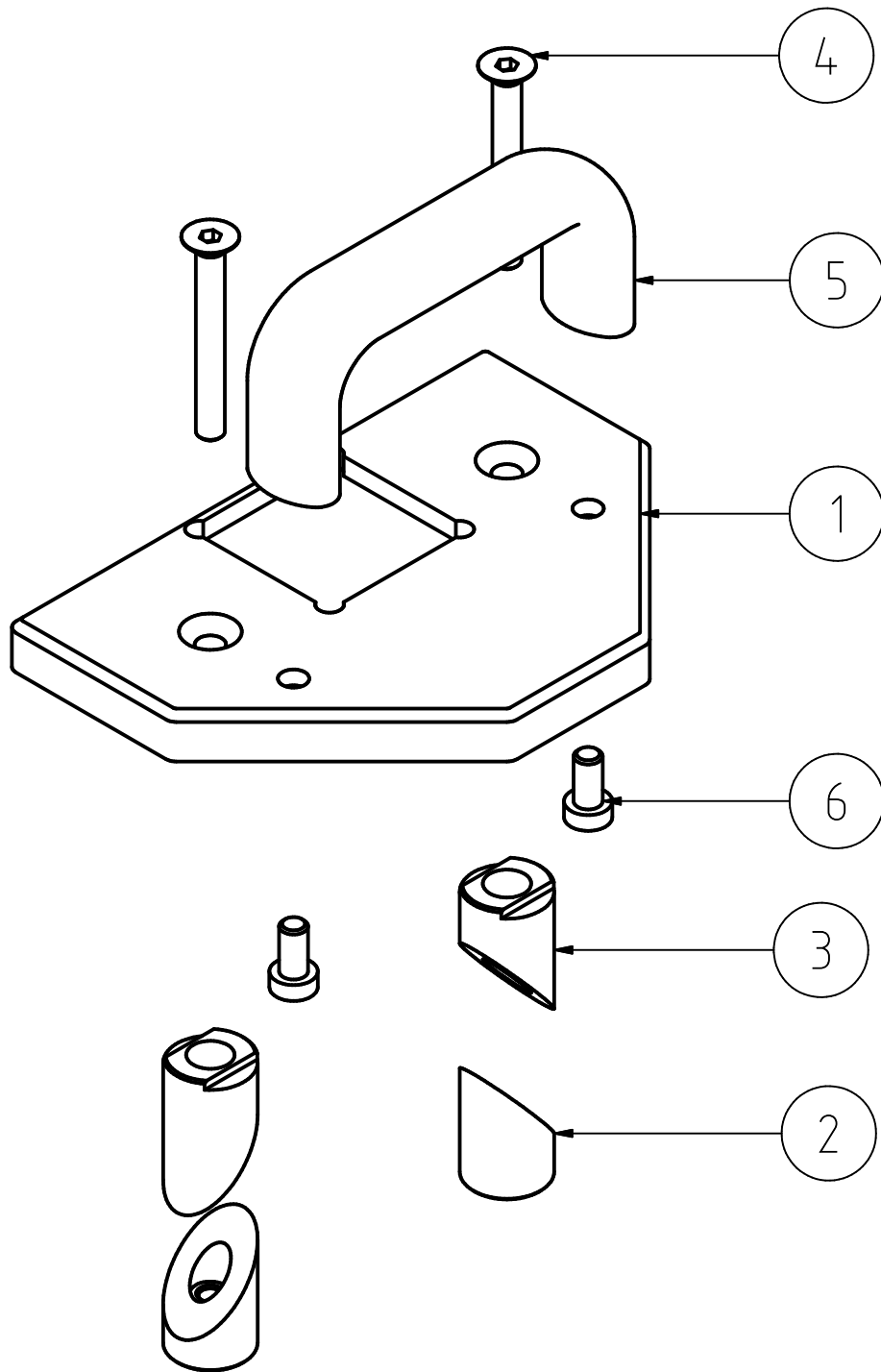
Handle assembly - Profi extra

A4 PL10091



Diacom Hoofddorp. All rights reserved. No part of this drawing may be reproduced or published in any form by print, photography, microfilm or by any other means, without the prior written permission of Diacom Hoofddorp, this is also applicable for entire or partial adaptation.

REV:
R0



6	2	Low soket head bolt M6x12	PL30223
5	1	Handle	PL30098
4	2	Countersunk M6x50	PL30208
3	2	Draglink 2	PL20151
2	2	Draglink 1	PL20150
1	1	Lid column	PL10128
ITEM	QTY	DESCRIPTION	FDS Doc Nr

Algemene toleranties voor afmetingen: EN-ISO13920-BF-ISO2768-mK

Materiaal: Gewicht: 0,39 kg



Getekend: Linda

Datum: 4-1-2016

Lid column assembly

A4 PL40085

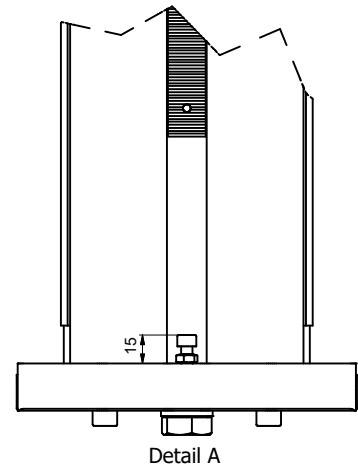
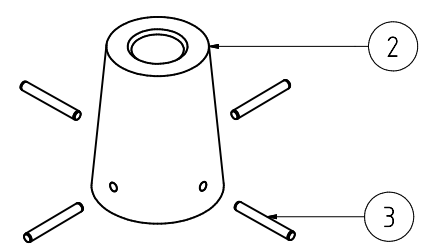
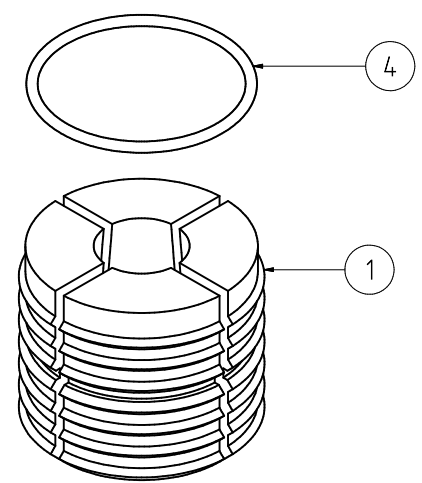
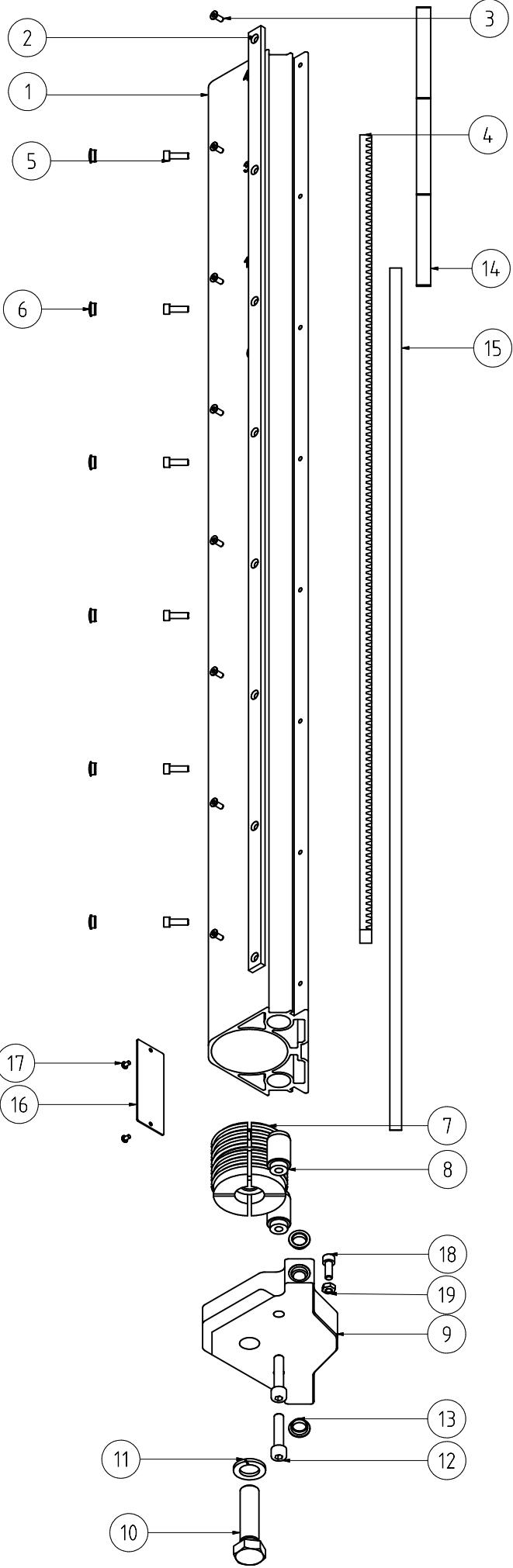


Diacom Hoofddorp. All rights reserved. No part of this drawing may be reproduced or published in any form by print, photography, microfilm or by any other means, without the prior written permission of Diacom Hoofddorp, this is also applicable for entire or partial adaptation.

REV:
R0

PROFI EXTRA 1m ASSEMBLY

4	1	O-ring 55x3	PL30237
3	4	Split pin 2.5 h8 x 20	PL30238
2	1	Conical clamping piece	PL20170
1	1	Conical clamping piece	PL20169
ITEM	QTY	DESCRIPTION	FDS Doc Nr



19	1	Nut M6	PL30160
18	1	Cil. inbus M6x16	PL30097
17	2	Rivet ø3.2	PL30024
16	1	Name plate 31,6mm.	PL10192
15	1	Tape measure 90 cm	PL20013
14	1	Graden sticker extra	PL20160
13	2	Bearing	PL20171
12	2	Socket head cap bolt M8x35	PL30075
11	1	Spring washer M16	PL30197
10	1	Hexhead bolt M16x60	PL30196
9	1	Base plate column- Profi extra	PL10117
8	2	Fitted dowel 20 with thread M8	PL20154
7	1	Assembly conical clamping piece	PL10146
6	6	Cover M10	PL30210
5	6	Cil inbus M5x16	PL30203
4	1	Rack 830mm.	PL20016
3	16	Countersunk int. hex. bolt M4x10	PL30204
2	2	Guiding strip 979mm.	PL10116
1	1	Column 1,00m.	PL10121
ITEM	QTY	DESCRIPTION	FDS Doc Nr

Algemene toleranties voor afmetingen: EN-ISO13920-BF-ISO2768-mK

Materiaal: Gewicht: N/A

Getekend: Linda

Datum: 4-1-2016

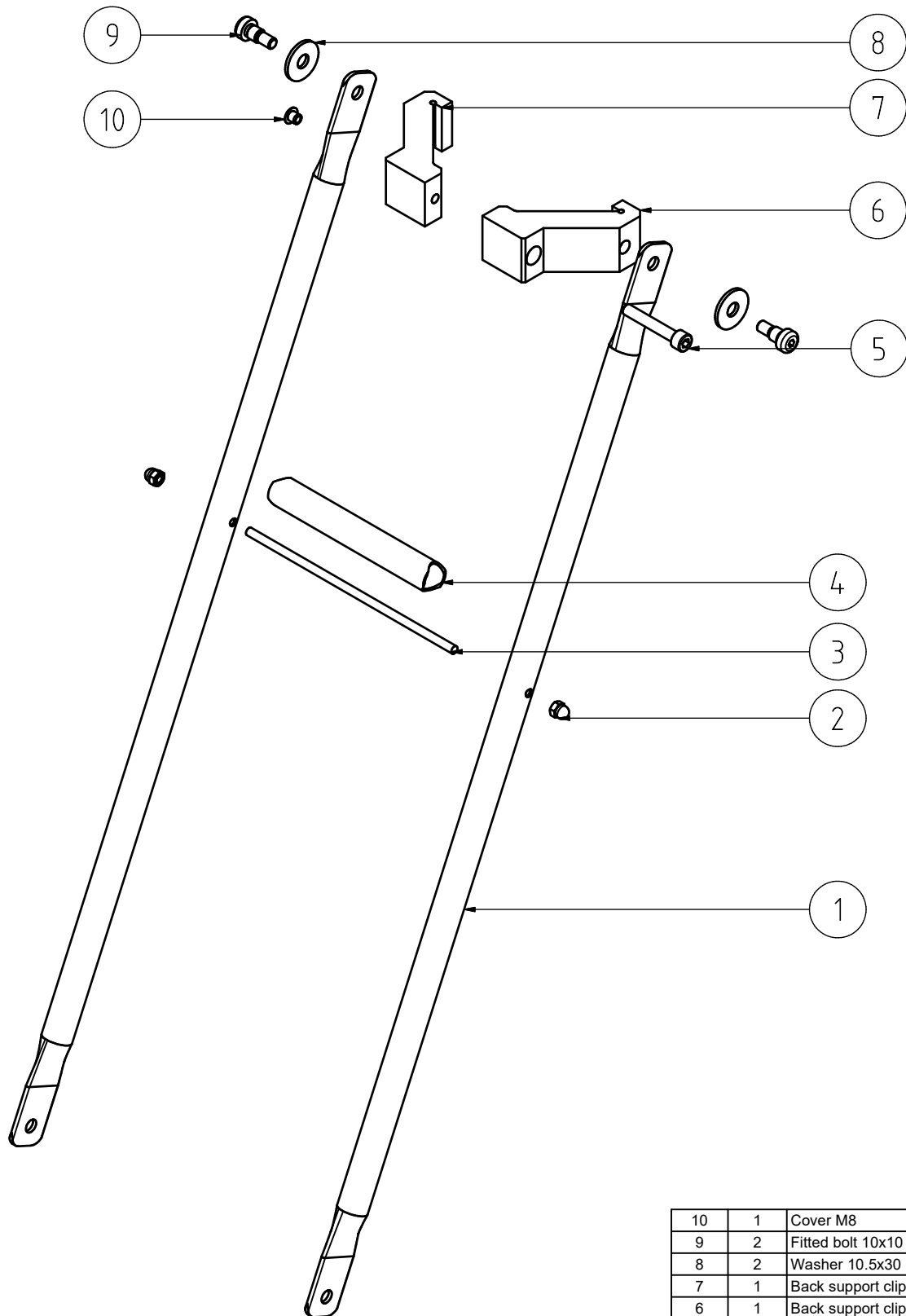
Column 1m - Profi extra

A2 | PL10125

Diacom Diacom Hoofddorp. All rights reserved. No part of this drawing may be reproduced or published in any form by print, photography, microfilm or by any other means, without the prior written permission of Diacom Hoofddorp, this is also applicable for entire or partial adaptation.

REV: R0

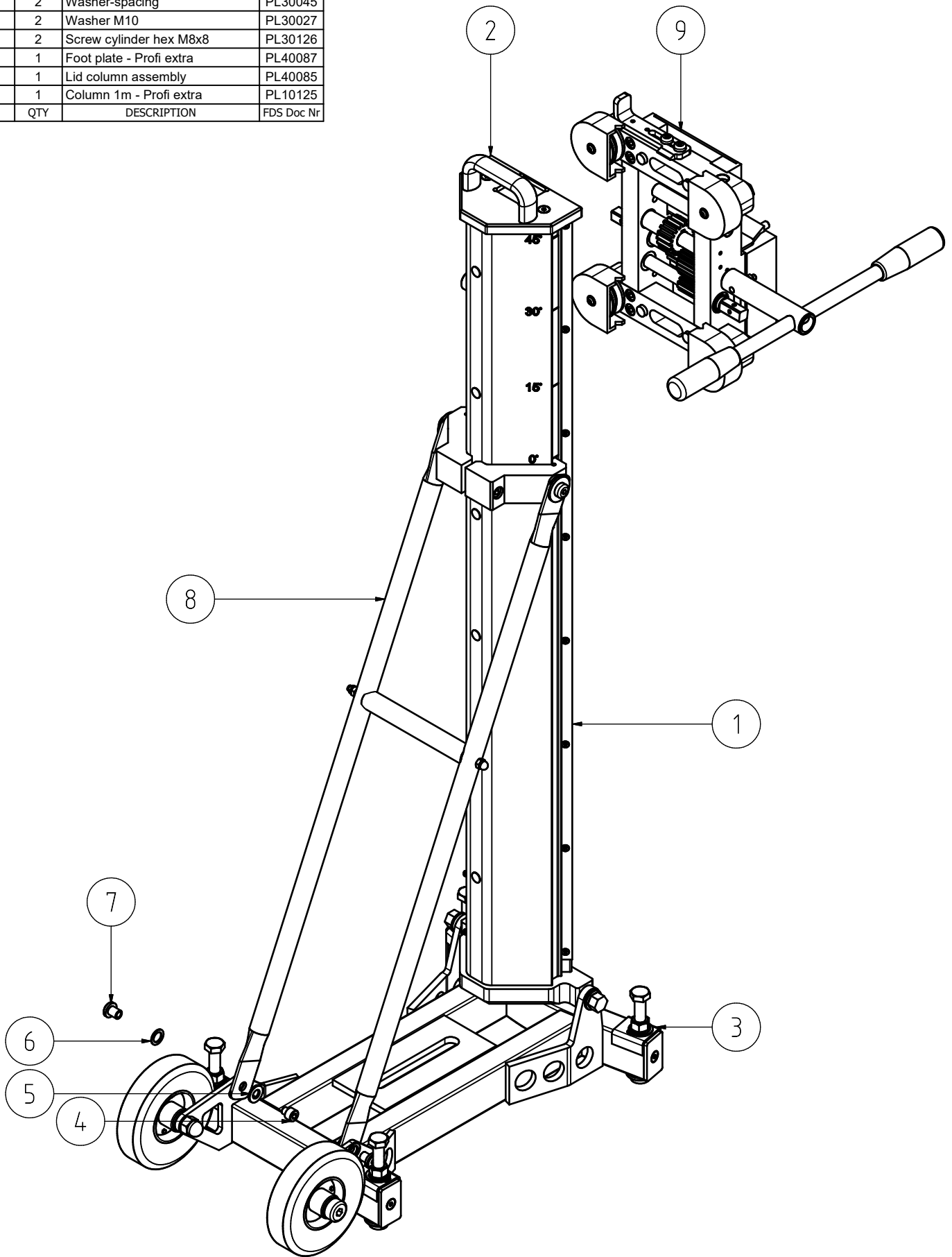
Tekeninglocatie: F:\Onze Documenten\Technische tekeningen\project\Profi_extra\meten\column\PL10125R0.iaw
Modellocatie: F:\Onze Documenten\Technische tekeningen\project\Profi_extra\meten\column\PL10125R0.iaw



ITEM	QTY	DESCRIPTION	FDS Doc Nr
10	1	Cover M8	PL30215
9	2	Fitted bolt 10x10 M8	PL30222
8	2	Washer 10.5x30	PL30239
7	1	Back support clip part 2	PL10120
6	1	Back support clip part 1	PL10119
5	1	Socket head cap bolt M8x50	PL30025
4	1	Back support handle	PL10155
3	1	Stud	PL30357
2	2	Cap nut M6	PL30117
1	2	Back support $\varnothing 22 \times 1.5 \text{mm}$	PL20157

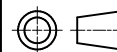
Algemene toleranties voor afmetingen: EN-ISO13920-BF-ISO2768-mK			Getekend: Dessing
Materiaal: Gewicht: 1,77 kg			Datum: 14-1-2016
Back support 1m.		A3	PL10062
Diacom Hoofddorp. All rights reserved. No part of this drawing may be reproduced or published in any form by print, photography, microfilm or by any other means, without the prior written permission of Diacom Hoofddorp, this is also applicable for entire or partial adaptation.			REV: R0

9	1	Sliding house assembly	PL10141
8	1	Back support 1m.	PL10062
7	2	Round nut with flange M8	PL30226
6	2	Washer-spacing	PL30045
5	2	Washer M10	PL30027
4	2	Screw cylinder hex M8x8	PL30126
3	1	Foot plate - Profi extra	PL40087
2	1	Lid column assembly	PL40085
1	1	Column 1m - Profi extra	PL10125
ITEM	QTY	DESCRIPTION	FDS Doc Nr



Algemene toleranties voor afmetingen: EN-ISO13920-BF-ISO2768-mK

Materiaal: Gewicht: N/A



Getekend: Dessing

Datum: 14-1-2016

Profi extra 1,00m.

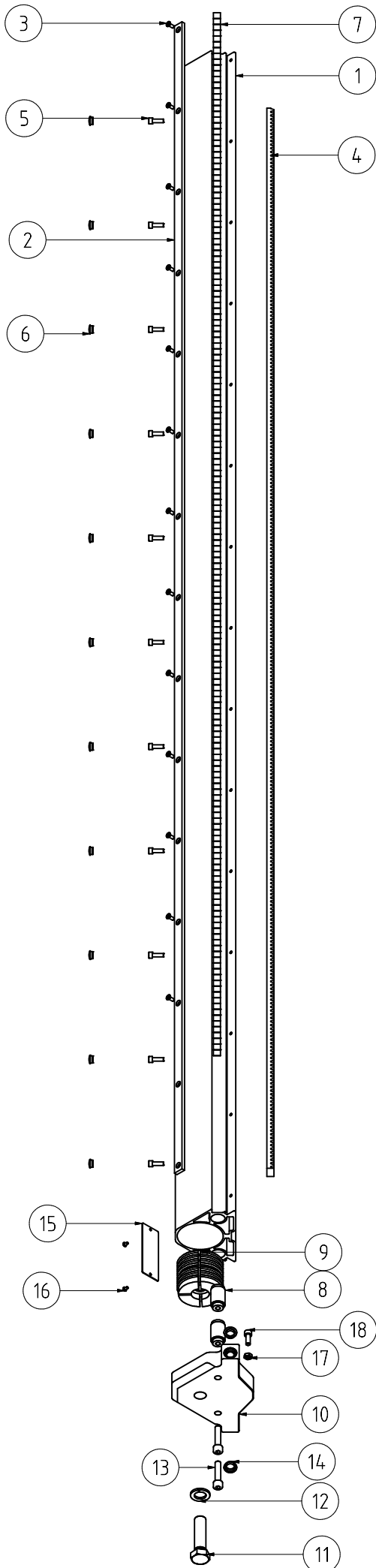
A3 | PL10123

Diacom

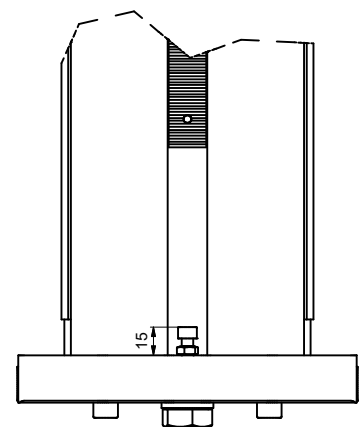
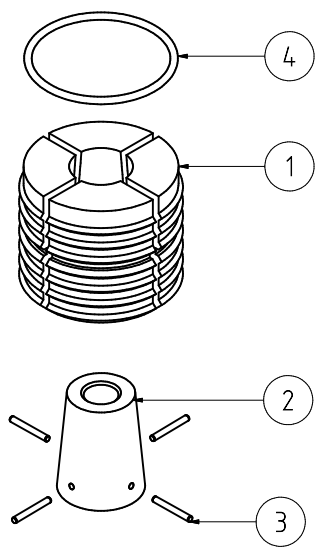
Diacom Hoofddorp. All rights reserved. No part of this drawing may be reproduced or published in any form by print, photography, microfilm or by any other means, without the prior written permission of Diacom Hoofddorp, this is also applicable for entire or partial adaptation.

REV:
R0

PROFI EXTRA 2m ASSEMBLY



4	1	O-ring 55x3	PL30237
3	4	Split pin 2.5 h8 x 20	PL30238
2	1	Conical clamping piece	PL20170
1	1	Conical clamping piece	PL20169
ITEM	QTY	DESCRIPTION	FDS Doc Nr



18	1	Screw cylinder hex M6x16	PL30097
17	1	Nut M6	PL30160
16	2	Rivet ø3.2	PL30024
15	1	Name plate 31,6mm.	PL10192
14	2	Bearing	PL20171
13	2	Socket head cap bolt M8x35	PL30075
12	1	Spring washer M16	PL30197
11	1	Hexhead bolt M16x60	PL30196
10	1	Base plate column- Profi extra	PL10117
9	1	Assembly conical clamping piece	PL10146
8	2	Fitted dowel 20 with thread M8	PL20154
7	2	Tape measure 1800mm.	PL20014
6	11	Cover M10	PL30210
5	11	Screw cylinder hex M5x16	PL30203
4	1	Gear rack 1830mm.	PL20017
3	26	Countersunk int. hex. bolt M4x10	PL30204
2	2	Guide strip 1980mm.	PL10140
1	1	Column 2,00m.	PL10139
ITEM	QTY	DESCRIPTION	FDS Doc Nr

Algemene toleranties voor afmetingen: EN-ISO13920-BF-ISO2768-mK

Materiaal: Gewicht: N/A

Getekend: Linda

Datum: 7-3-2006

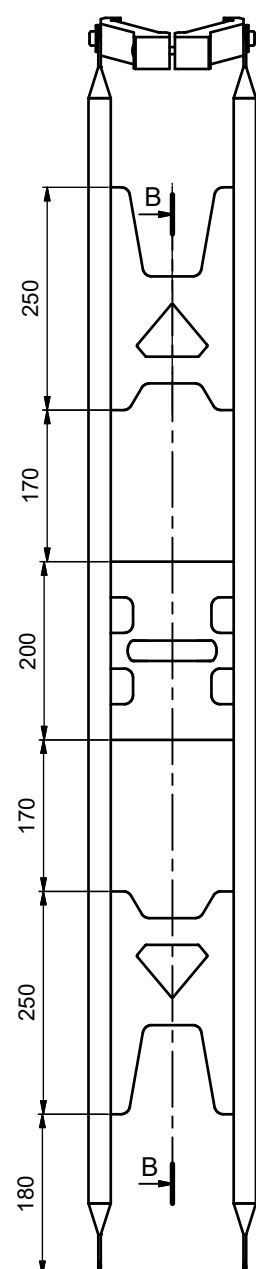
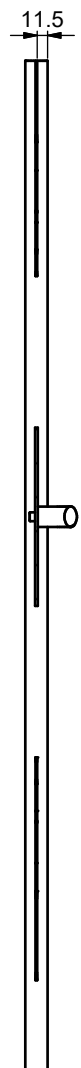
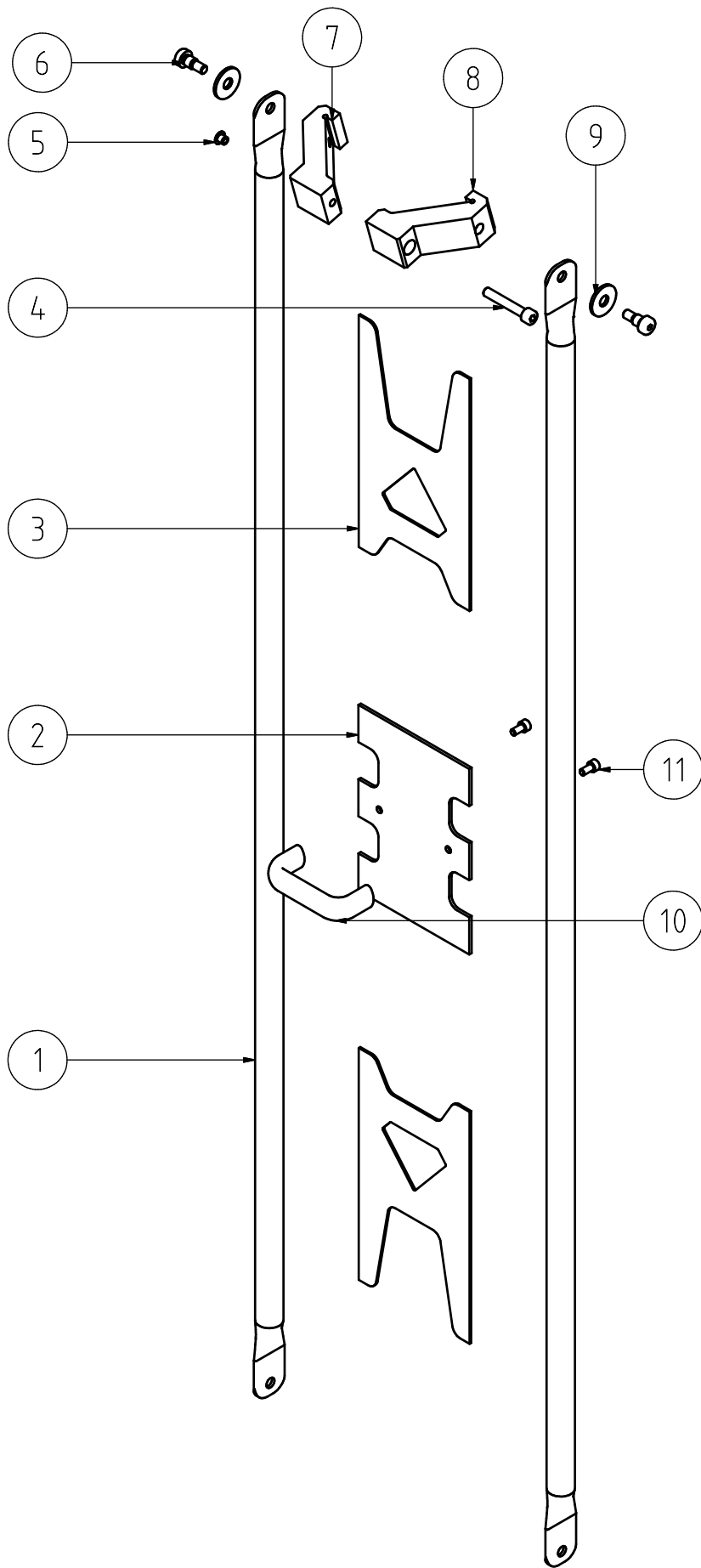
Column 2m.- Profi extra

A2 | PL10153

REV: R0

Diacom Diacom Hoofddorp. All rights reserved. No part of this drawing may be reproduced or published in any form by print, photography, microfilm or by any other means, without the prior written permission of Diacom Hoofddorp, this is also applicable for entire or partial adaptation.

Tekeninglocatie: F:\Onze Documenten\Technische tekeningen\project\Profi_extra\2meter\Column\PL10153R0.lwm
Modellocatie: F:\Onze Documenten\Technische tekeningen\project\Profi_extra\2meter\Column\PL10153R0.lwm

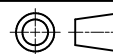


Section B-B

11	2	Socket head cap bolt M6x12	PL30172
10	1	Handle	PL30098
9	2	Washer 10.5x30	PL30239
8	1	Back support clip part 1	PL10119
7	1	Back support clip part 2	PL10120
6	2	Fitted bolt 10x10 M8	PL30222
5	1	Cover M8	PL30215
4	1	Socket head cap bolt M8x50	PL30025
3	2	Gusset	PL20175
2	1	Gusset	PL20174
1	2	Back support 2m.	PL20168
ITEM	QTY	DESCRIPTION	FDS Doc Nr

Algemene toleranties voor afmetingen: EN-ISO13920-BF-ISO2768-mK

Materiaal: Gewicht: N/A



Getekend: Serge

Datum: 8-5-2006

Back support 2m.

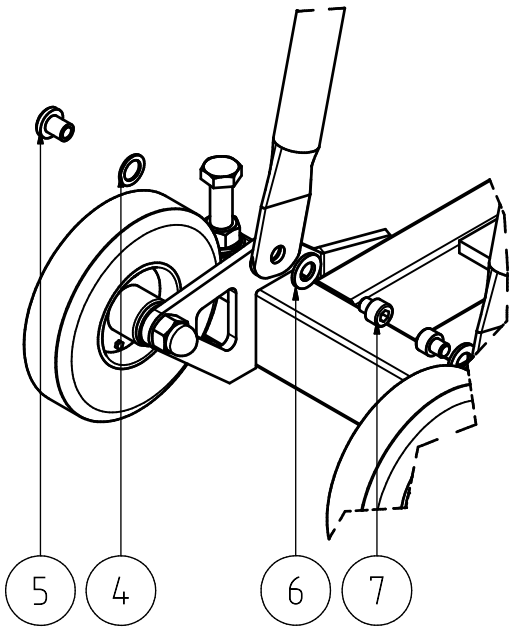
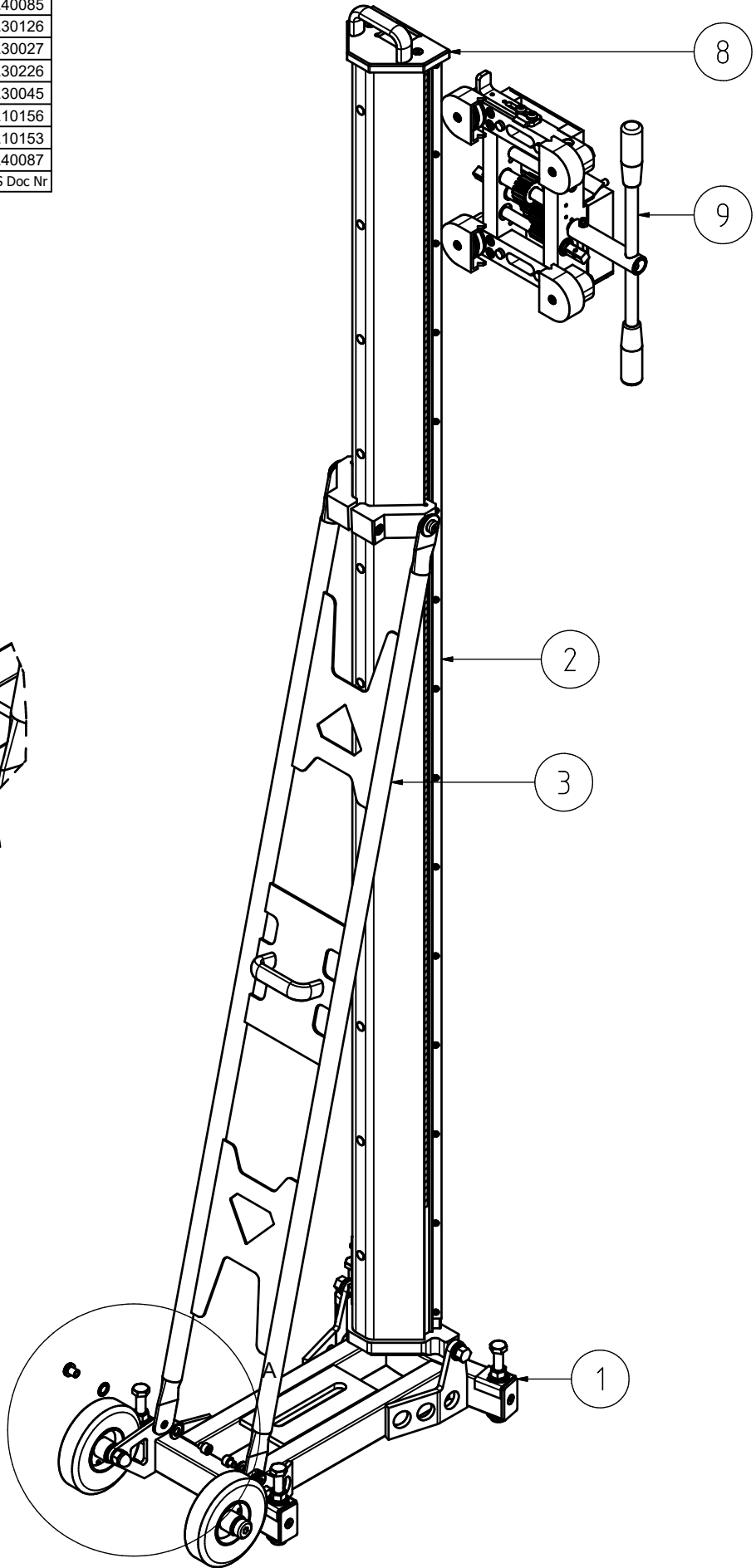
A3 | PL10156

Diacom

Diacom Hoofddorp. All rights reserved. No part of this drawing may be reproduced or published in any form by print, photography, microfilm or by any other means, without the prior written permission of Diacom Hoofddorp, this is also applicable for entire or partial adaptation.

REV:
R0

9	1	Sliding house assembly	PL10141
8	1	Lid column assembly	PL40085
7	2	Screw cylinder hex M8x8	PL30126
6	2	Washer M10	PL30027
5	2	Round nut with flange M8	PL30226
4	2	Washer-spacing	PL30045
3	1	Back support 2m.	PL10156
2	1	Column 2m.- Profi extra	PL10153
1	1	Foot plate - Profi extra	PL40087
ITEM	QTY	DESCRIPTION	FDS Doc Nr

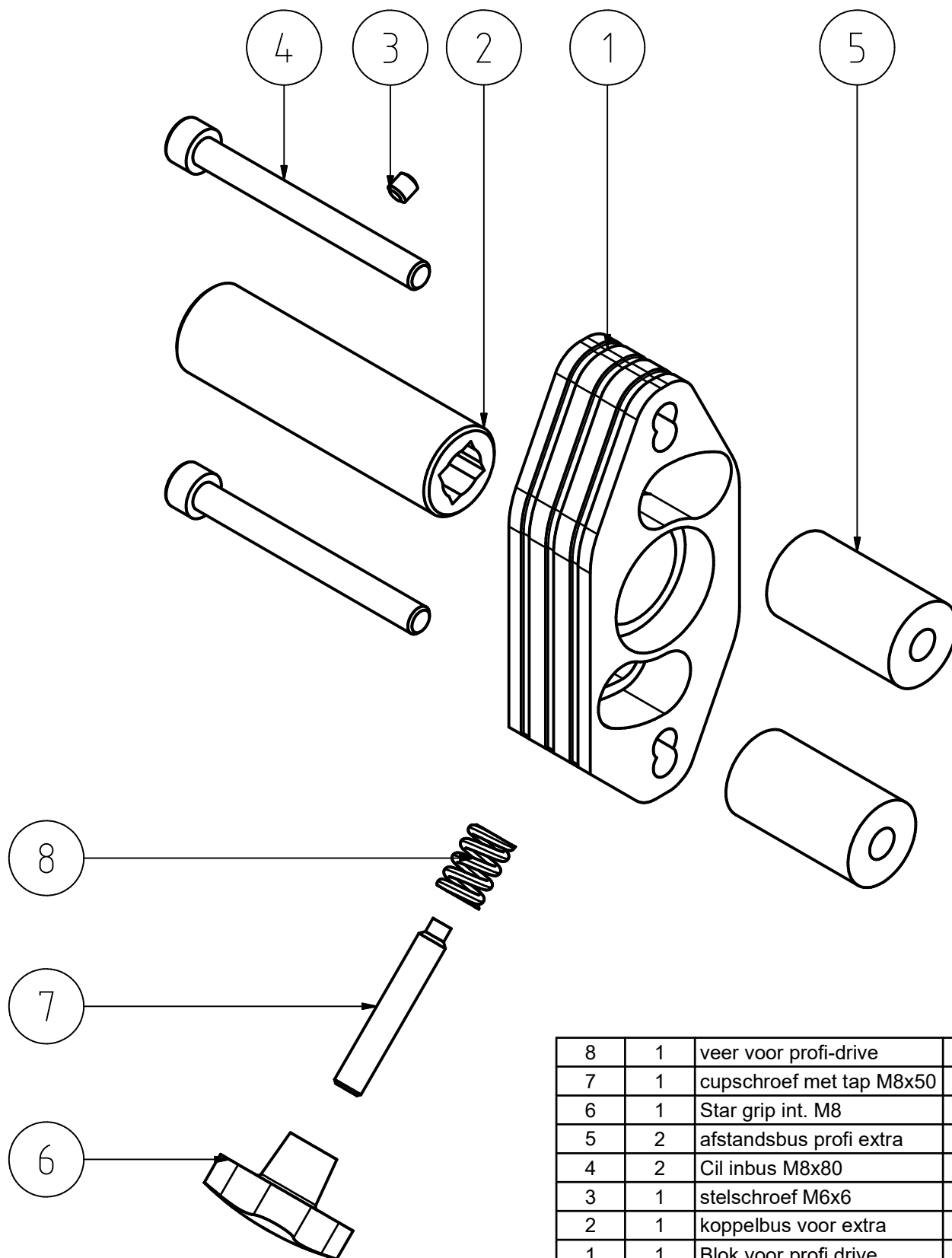


Detail A

Algemene toleranties voor afmetingen: EN-ISO13920-BF-ISO2768-mK		Getekend: Dessing	
Materiaal: Gewicht: N/A		Datum: 5-1-2016	
Profi extra 2,00m.		A3 PL10157	
Diacom Hoofddorp. All rights reserved. No part of this drawing may be reproduced or published in any form by print, photography, microfilm or by any other means, without the prior written permission of Diacom Hoofddorp, this is also applicable for entire or partial adaptation.			REV: R0

PROFI EXTRA ACCESSORIES

This model has been used until Juli 2016



8	1	veer voor profi-drive	PL30171
7	1	cupschroef met tap M8x50	PL30083
6	1	Star grip int. M8	PL30084
5	2	afstandsbus profi extra	PL20167
4	2	Cil inbus M8x80	PL30236
3	1	stelschroef M6x6	PL30154
2	1	koppelbus voor extra	PL20173
1	1	Blok voor profi drive	PD10010
ITEM	QTY	DESCRIPTION	FDS Doc Nr

Algemene toleranties voor afmetingen: EN-ISO13920-BF-ISO2768-mK

Materiaal: Gewicht: N/A



Getekend: Linda

Datum: 4-2-2016

Building block - Profi extra

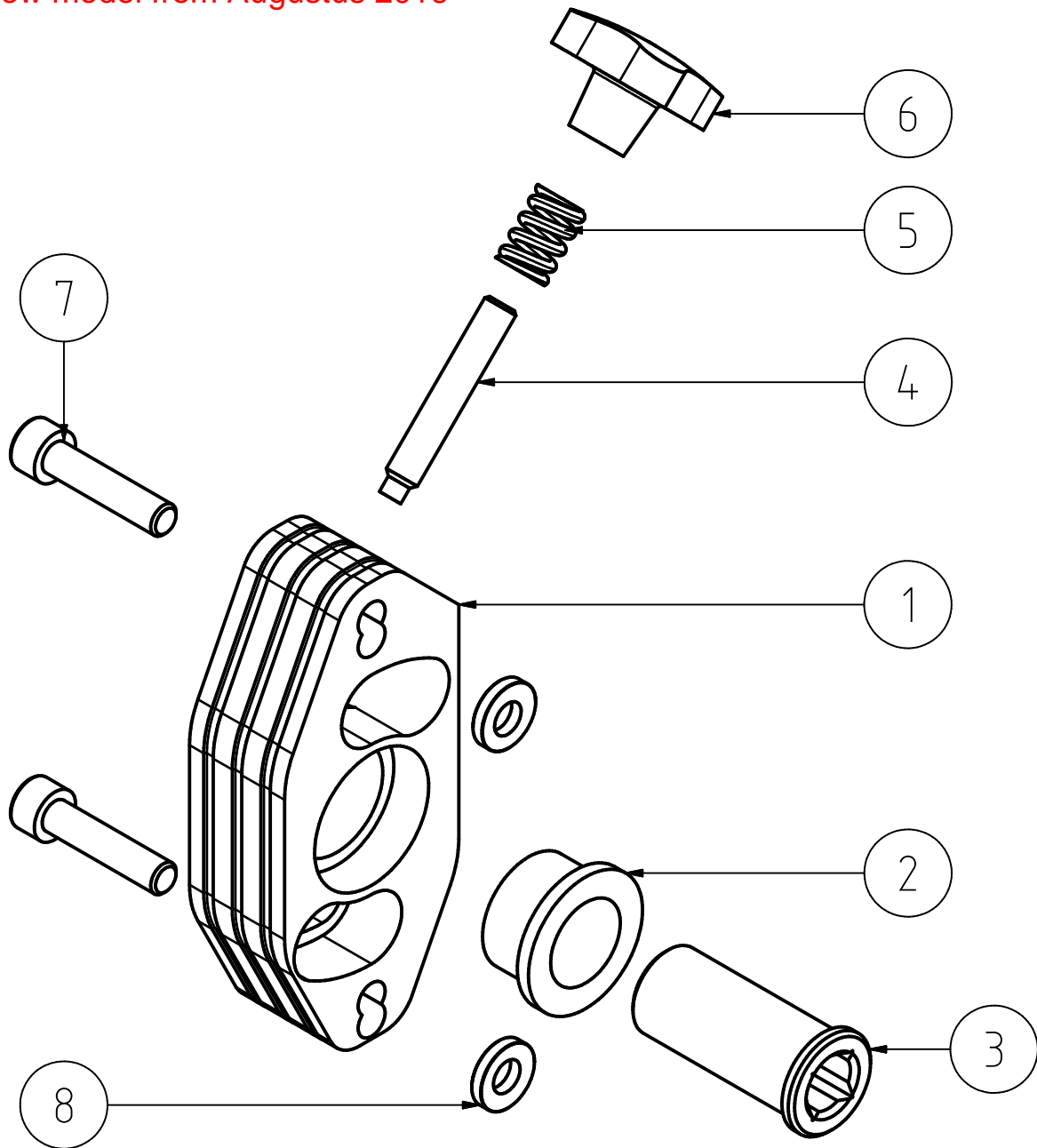
A4 PD10014



Diacom Hoofddorp. All rights reserved. No part of this drawing may be reproduced or published in any form by print, photography, microfilm or by any other means, without the prior written permission of Diacom Hoofddorp, this is also applicable for entire or partial adaptation.

REV:
R0

Nieuw model from Augustus 2016



8	2	Flat washer M8x3	PL30374
7	2	Socket head cap bolt M8x35	PL30075
6	1	Star grip nut M8	PL30084
5	1	Spring	PL30171
4	1	Socket set screw M8x50	PL30083
3	1	Torque bus for Profi Maxi	PD20004
2	1	Block spacer	PD10027
1	1	Block for Profi drive	PD10028
ITEM	QTY	DESCRIPTION	FDS Doc Nr

Algemene toleranties voor afmetingen: EN-ISO13920-BF-ISO2768-mK

Materiaal: Gewicht: N/A



Getekend: Linda

Datum: 5-4-2016

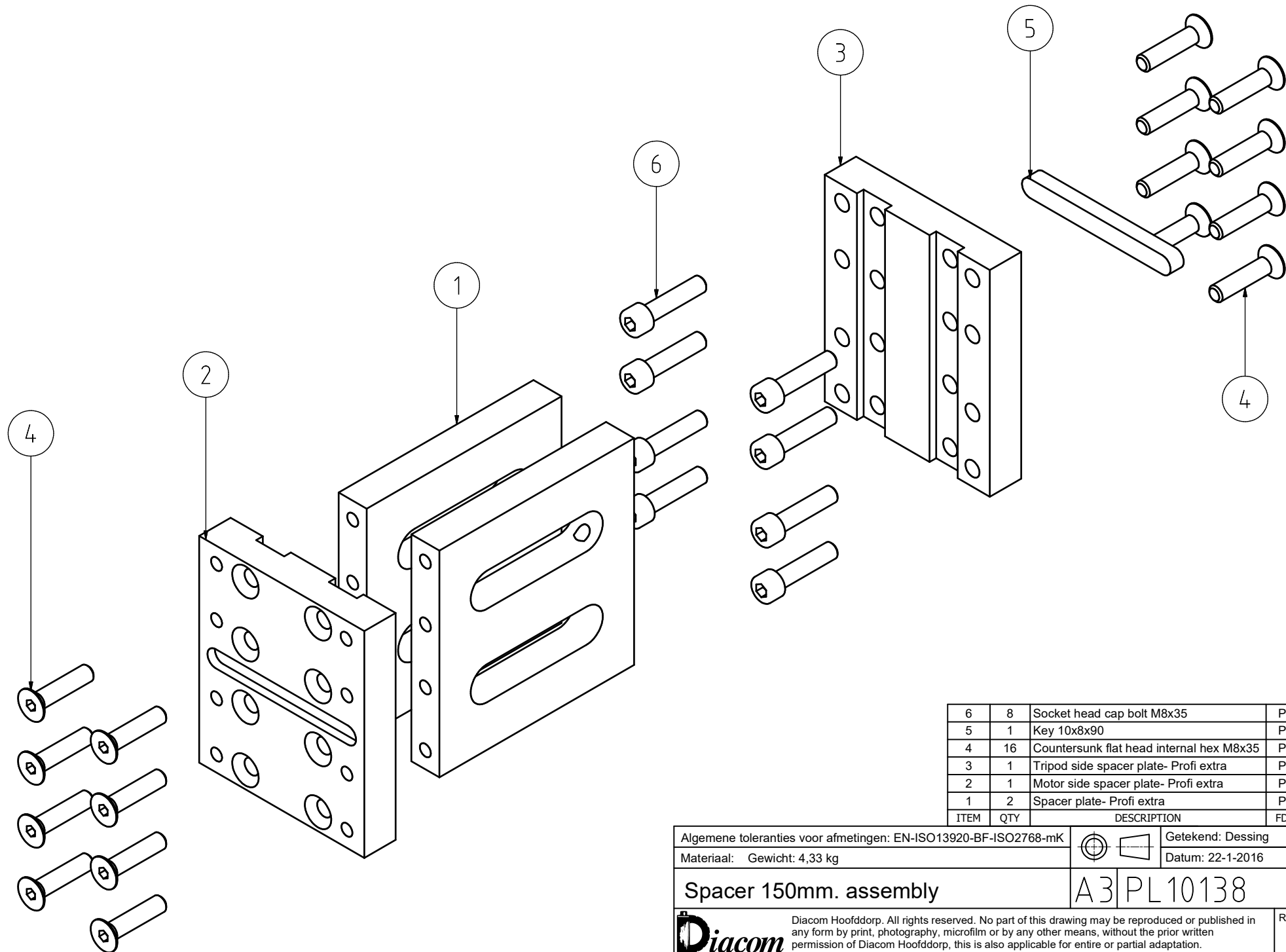
Building block - Profi extra

A4 PD10014



Diacom Hoofddorp. All rights reserved. No part of this drawing may be reproduced or published in any form by print, photography, microfilm or by any other means, without the prior written permission of Diacom Hoofddorp, this is also applicable for entire or partial adaptation.

REV:
R1



6	8	Socket head cap bolt M8x35	PL30075
5	1	Key 10x8x90	PL30073
4	16	Countersunk flat head internal hex M8x35	PL30107
3	1	Tripod side spacer plate- Profi extra	PL10160
2	1	Motor side spacer plate- Profi extra	PL10159
1	2	Spacer plate- Profi extra	PL10158
ITEM	QTY	DESCRIPTION	FDS Doc Nr

Algemene toleranties voor afmetingen: EN-ISO13920-BF-ISO2768-mK			Getekend: Dessing
Materiaal: Gewicht: 4,33 kg			Datum: 22-1-2016
Spacer 150mm. assembly		A3	PL10138
Diacom Hoofddorp. All rights reserved. No part of this drawing may be reproduced or published in any form by print, photography, microfilm or by any other means, without the prior written permission of Diacom Hoofddorp, this is also applicable for entire or partial adaptation.		REV:	R0